

Thermal cut-out  
Thermostat

# K

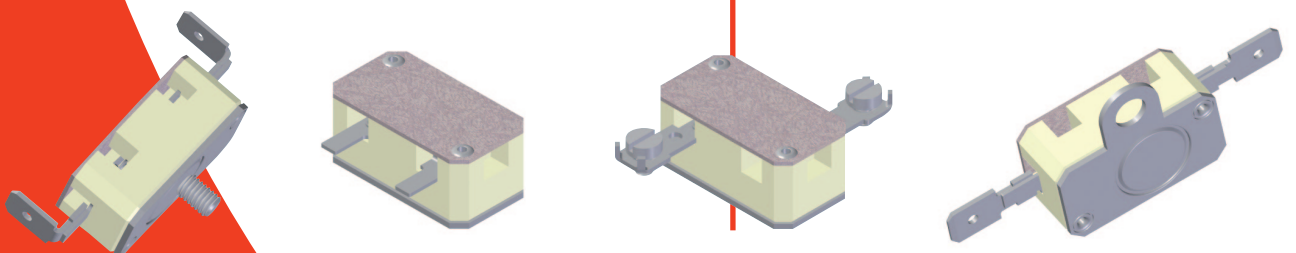
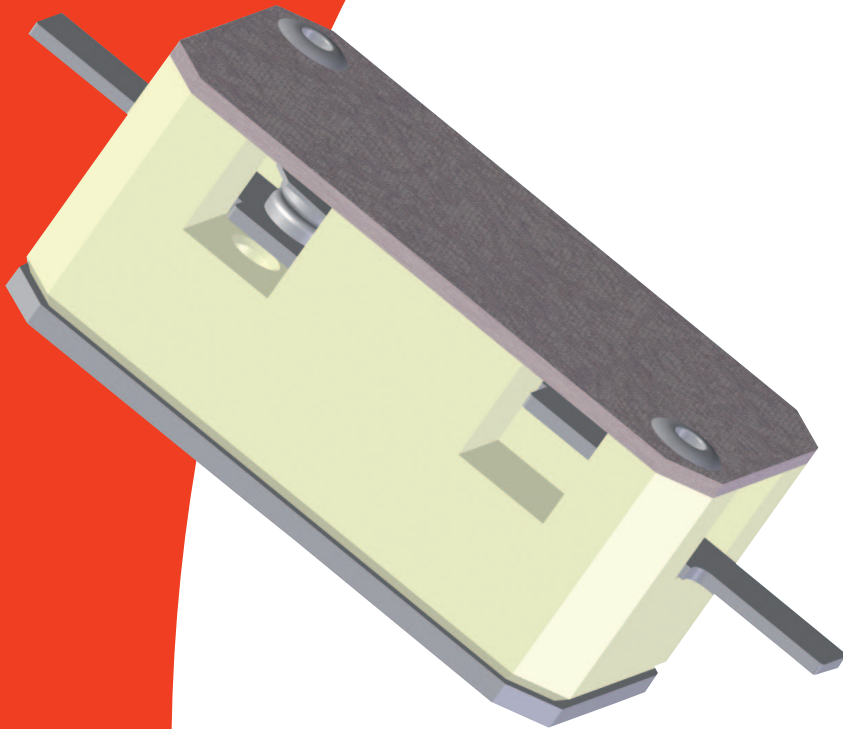
1AV  
1AT

## Applications

- Fuel oil burner
- Welding- / soldering equipment
- Ironing machines
- Electric cookers

## Benefits

- Response sensitivity
- Various types
- Robust design
- High temperatures up to 450°C




**MICROTHERM**

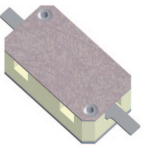
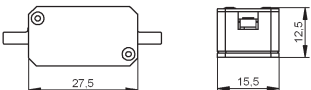


Microtherm International Cooperation

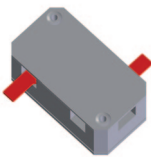
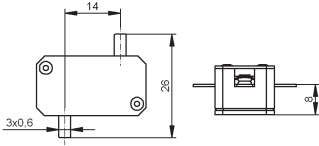
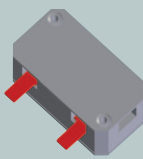
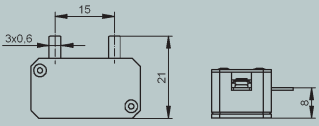
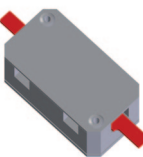
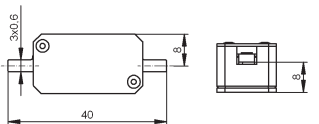
## Technical data

ratings		control type	
		K1AV	K1AT
function		automatic	
version		normally closed	normally open
rated current at 230 V 50 / 60 Hz ( cos $\phi$ 0,95 )		10 A	
rated current at 400 V 50 / 60 Hz ( cos $\phi$ 0,95 )		6 A	
switching cycles		10,000	
temperature range T <sub>a</sub> ( steps in 5 K )		200°C - 450°C	
tolerances		± 5%	± 10%
feature of automatic action		1.B	
contact resistance		< 50 mΩ	
hysteresis		100K ± 20K	
degrees of protection provided by enclosures ( EN 60529 )		IP00	
suitable for use in protection class		I	
approval	VDE 	EN 60730-1 / -2-9	-

## Standard type

type	nc	no	illustration	drawing dimensions ( mm )	technical description	approval <sup>1)</sup>
K1A	V	T			cover micanite housing ceramic bottom plate steel	VDE

## Terminals

code	illustration	drawing dimensions ( mm )	technical description	approval <sup>1)</sup>
A160			welding terminals, steel	VDE
A170			welding terminals, steel	VDE
A180			welding terminals, steel	VDE

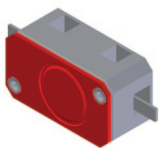
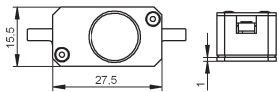
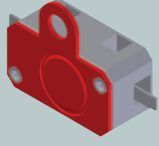
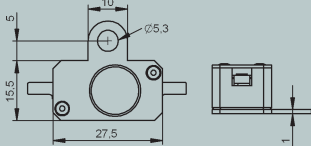
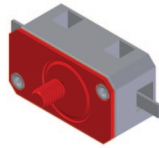
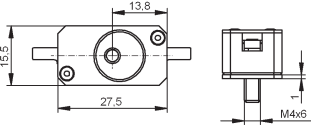
<sup>1)</sup> VDE approval is only valid for type K1AV

code	illustration	drawing dimensions ( mm )	technical description	approval <sup>1)</sup>
A161 (0°) A162 (90°)			terminals 6.3 x 0.8, steel, also available: angle 90 deg T <sub>a</sub> max 350°C	VDE
A171 (0°) A172 (90°)			terminals 6.3 x 0.8, steel, also available: angle 90 deg T <sub>a</sub> max 350°C	VDE
A181 (0°) A182 (90°)			terminals 6.3 x 0.8, steel, also available: angle 90 deg T <sub>a</sub> max 350°C	VDE
A163 (0°) A164 (90°)			screw terminals, steel, also available: angle 90 deg T <sub>a</sub> max 350°C	VDE
A173 (0°) A174 (90°)			screw terminals, steel, also available: angle 90 deg T <sub>a</sub> max 350°C	VDE
A183 (0°) A184 (90°)			screw terminal, steel, also available: angle 90 deg T <sub>a</sub> max 350°C	VDE
A168			lead L551, welded	VDE
A178			lead L551, welded	VDE
A188			lead L551, welded	VDE

<sup>1)</sup> VDE approval is only valid for type K1AV

lead L551: UL style 5107, 600V, max. 450°C, insulation glass fibre-PTFE, cross-section of conductor 1,3 mm<sup>2</sup> (AWG16) , grey, stripped 10mm

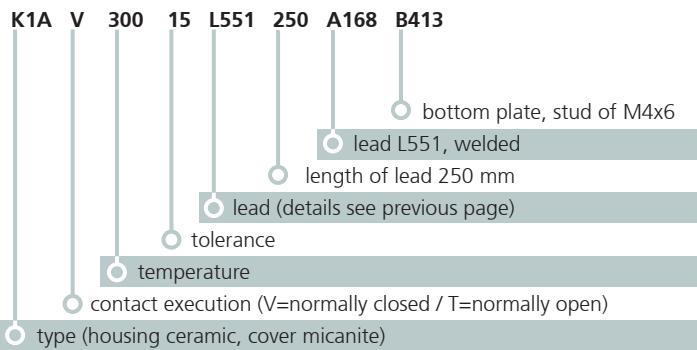
# Fixings

code	illustration	drawing dimensions ( mm )	technical description	approval <sup>1)</sup>
B410			bottom plate, steel	VDE
B412			bottom plate with flange, steel	VDE
B413 (M4x6) B414 (M5x6)			bottom plate with stud, steel	VDE

<sup>1)</sup> VDE approval is only valid for type K1AV

## Ordering and marking example

### Ordering example



### Marking

<b>K1AV 30015</b>	type (normally closed) response temperature (300°C), tolerance (+/- 15K)
<b>XXXXX</b>	production number
<b>K1AT --123</b>	type (normally open) drawing number
<b>XXXXX</b>	production number



Representation office:

**Microtherm GmbH**  
Täschentalstraße 3  
P.O. Box 1208  
D-75112 Pforzheim

Fon: +49 (0)7231 787-0  
Fax: +49 (0)7231 787-155  
E-Mail: [info@microtherm.de](mailto:info@microtherm.de)  
Internet: [www.microtherm.de](http://www.microtherm.de)

Deviations from standard controls on request.

**MICROTHERM**

